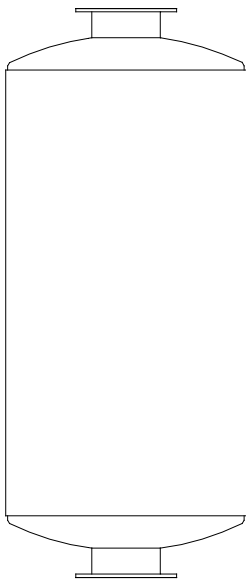
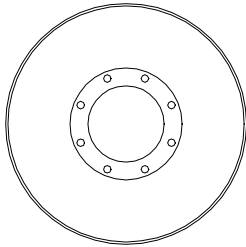


# VANEC

## Model 131 Exhaust Silencer



### Standard Features:

- ✓ All Steel Welded Construction
- ✓ Quality Fabrication Techniques
- ✓ Shell Constructed with Integral Damping
- ✓ Prime Coated Exterior Surfaces
- ✓ Condensate Drain
- ✓ Plate Flanges Drilled to Match ASA 125# Flanges

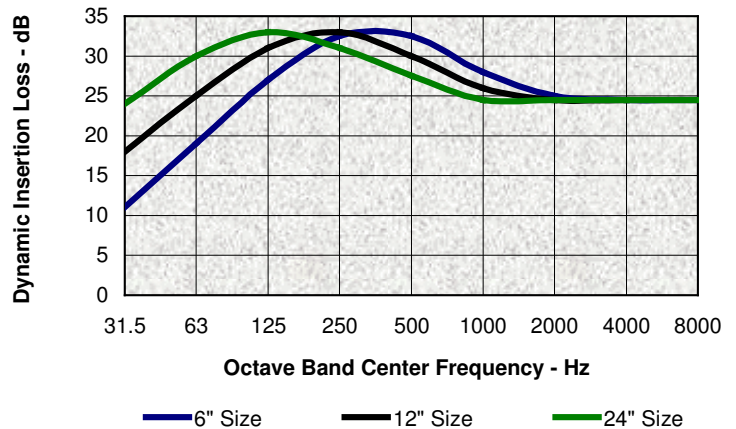
### Optional Features:

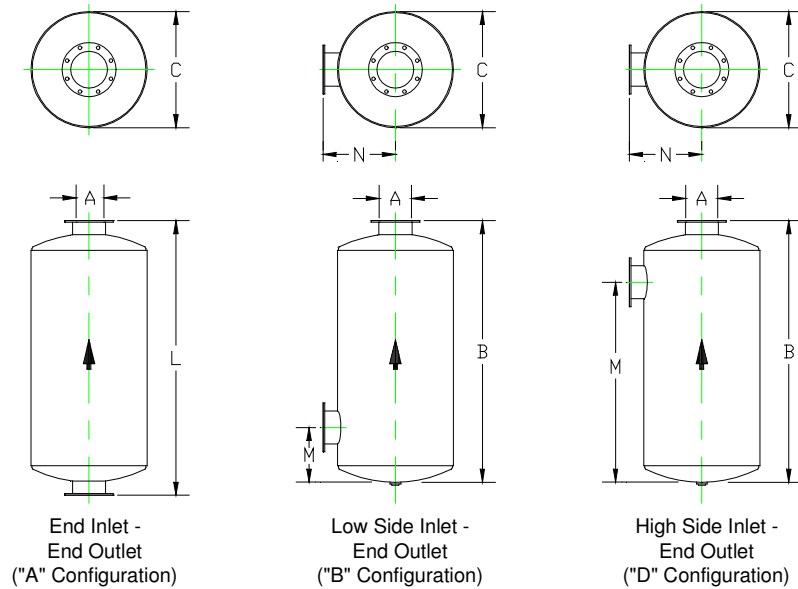
- ✓ Low or High Side Inlet
- ✓ Materials as Specified
- ✓ Finish as Specified
- ✓ Mounting Brackets or Supports for Vertical or Horizontal Installation
- ✓ Inspection Openings or Man Ways
- ✓ Explosion Relief Covers
- ✓ Companion Flanges

### Application:

The **VANEC** Model 131 Exhaust Silencer is designed for use in suppressing the exhaust noise of any internal combustion engine, and a variety of rotary blowers and vacuum pumps.

Typical Performance





### VANEC Model 131

Model	Dimensions in Inches									Est. Wt. Lbs.
	All Models		"A" Config.	Side Inlet Configuration						
	A	C		L	B	N	"B" Config. M – Low		"D" Config. M – High	
			Min				Max	Min	Max	
131-01	1	4½	22	20	4¼	2	-	-	-	6
131-01.5	1½	6½	24	21	5½	4	-	-	-	9
131-02	2	8	32	30	7	4	-	-	-	23
131-02.5	2½	10	33	31	8	5	15	-	-	36
131-03	3	10	47	43	9	6	18	-	-	55
131-03.5	3½	12	48	44	10	6	20	-	-	80
131-04	4	14	52	49	10	7	24	-	-	110
131-05	5	16	59	56	11	8	28	-	-	135
131-06	6	18	72	69	12	9	33	-	-	215
131-08	8	26	86	83	16	13	37	43	66	465
131-10	10	30	103	98	19	15	42	51	78	740
131-12	12	36	120	117	22	18	53	60	94	1160
131-14	14	36	169	165	22	20	82	90	137	1425
131-16	16	42	184	180	25	23	99	108	154	2270
131-18	18	48	185	182	28	24	100	109	155	2725
131-20	20	54	205	202	31	26	111	120	173	3420
131-22	22	54	225	221	32	27	122	132	190	3770
131-24	24	60	227	223	35	30	122	132	190	4670

Units smaller than 4" are supplied with threaded nozzles.

**VANEC Industrial Silencers**  
716-827-4959