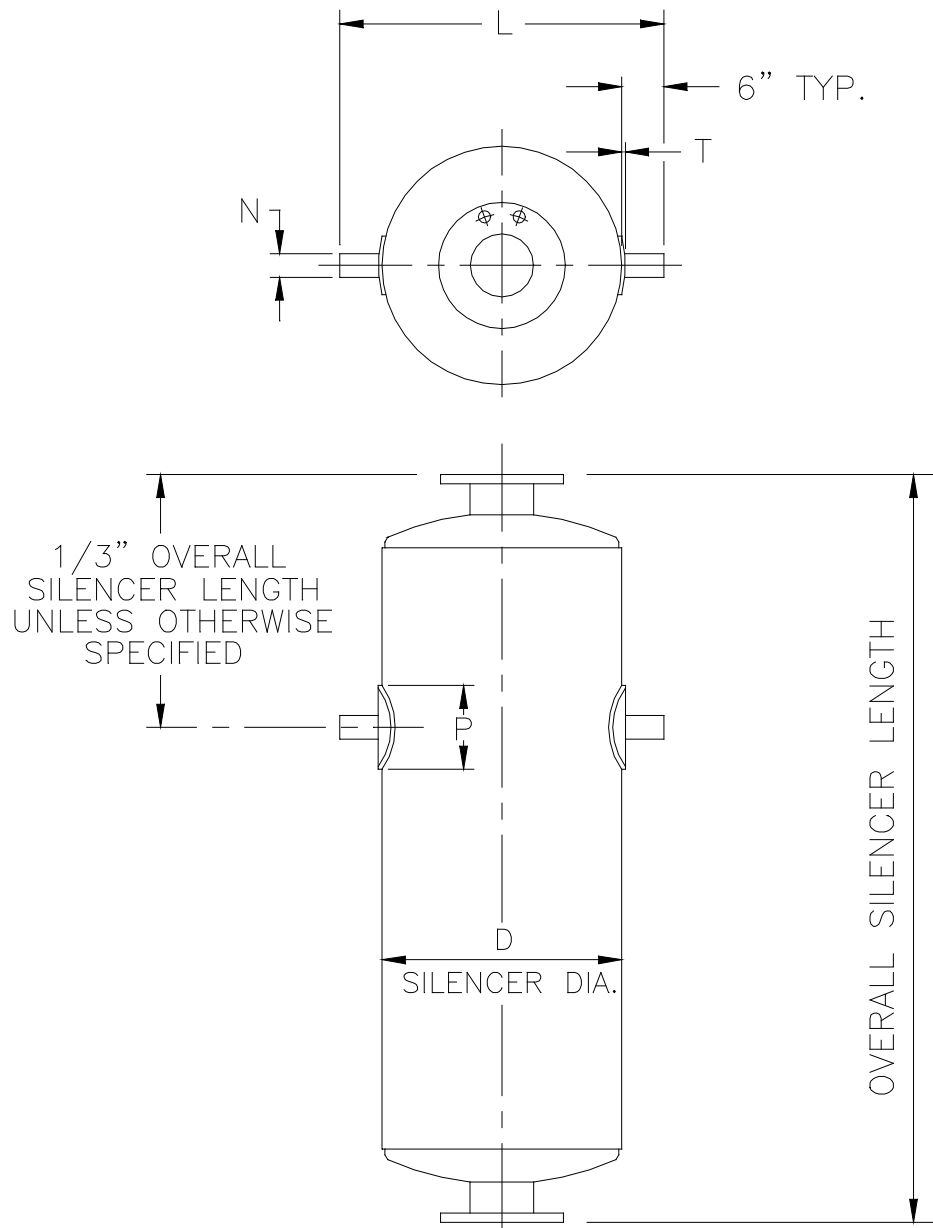


VANEC

VERTICAL PIPE TRUNNION SUPPORTS



VERTICAL PIPE TRUNNION SUPPORT
(2 REQ'D PER UNIT)

VERTICAL PIPE TRUNNION SUPPORTS

D Silencer Nominal Dia.	Dimensions in Inches				Est. Wt. per Set of Two (Lbs.)
	N Pipe Dia.	L	P Pad Dia.	T Pad Thk.	
18	2 3/8	30	6	1/4	14
20	2 3/8	32	6	1/4	14
22	2 3/8	34	6	1/4	14
24	2 3/8	36	6	1/4	14
26	2 3/8	38	6	1/4	14
28	2 3/8	40	6	1/4	14
30	2 3/8	42	6	1/4	14
32	2 3/8	44	6	1/4	14
36	3 1/2	48	12	3/8	48
42	3 1/2	54	12	3/8	48
48	3 1/2	60	12	3/8	48
54	3 1/2	66	12	3/8	48
60	4 1/2	72	18	1/2	102
66	4 1/2	78	18	1/2	102
72	4 1/2	84	18	1/2	102

Notes:

1. Dimensions may change depending upon silencer weight and application requirements.
2. Trunnions available for larger diameter silencers upon request.

VANEC Industrial Silencers
716-827-4959