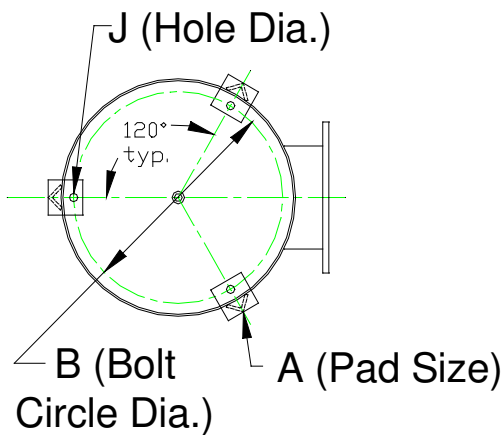
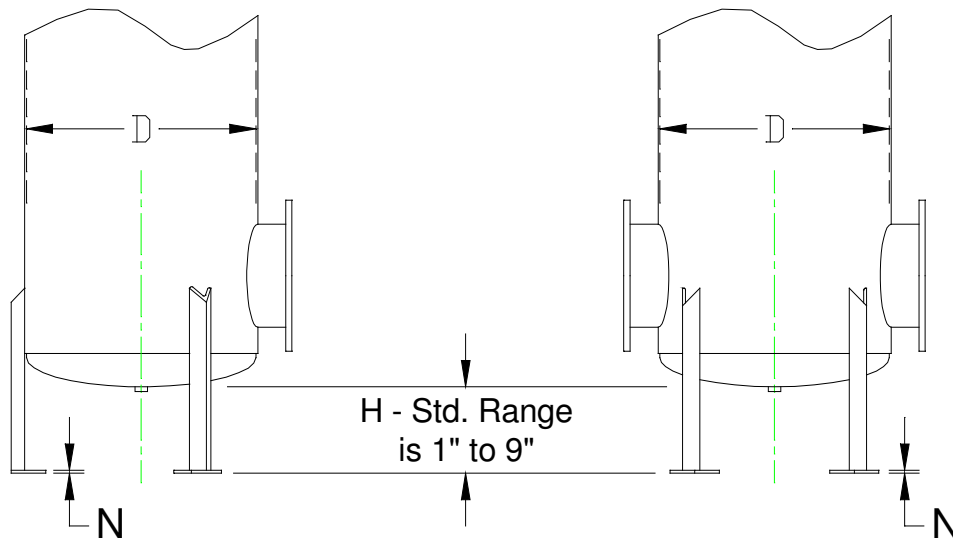
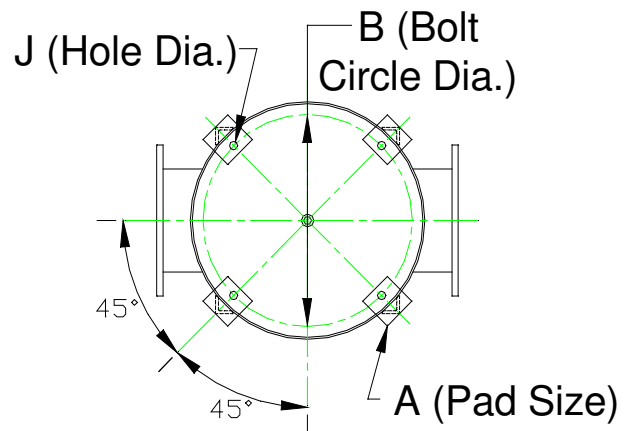


VANEC

VERTICAL ANGLE LEGS



3 Leg
Arrangement



4 Leg
Arrangement

VERTICAL ANGLE LEGS

D Silencer Nominal Dia.	Dimensions in Inches					Est. Wt. per Leg (Lbs.)
	A Pad Size	B Bolt Circle	H	J Hole Dia.	N Pad Thk.	
12	4 x 4	10	Leg projection specified on an application basis	1	³ / ₈	8
14	4 x 4	12		1	³ / ₈	8
16	4 x 4	14		1	³ / ₈	8
18	4 x 4	16		1	³ / ₈	8
20	4 x 4	18		1	³ / ₈	8
22	4 x 4	20		1	³ / ₈	8
24	6 x 6	21		1 ¹ / ₈	¹ / ₂	16
26	6 x 6	23		1 ¹ / ₈	¹ / ₂	16
28	6 x 6	25		1 ¹ / ₈	¹ / ₂	16
30	6 x 6	27		1 ¹ / ₈	¹ / ₂	16
36	6 x 6	33		1 ¹ / ₈	¹ / ₂	16
42	6 x 6	39		1 ¹ / ₄	¹ / ₂	16
48	7 x 7	45		1 ¹ / ₄	⁵ / ₈	32
54	7 x 7	51		1 ¹ / ₄	⁵ / ₈	32
60	7 x 7	57		1 ¹ / ₄	⁵ / ₈	32
66	7 x 7	63		1 ¹ / ₄	⁵ / ₈	32
72	7 x 7	69		1 ¹ / ₄	⁵ / ₈	32

Notes:

1. Dimensions may change depending on silencer weight and application load requirements.
2. Angle legs available for larger diameter silencers upon request.

VANEC Industrial Silencers
716-827-4959