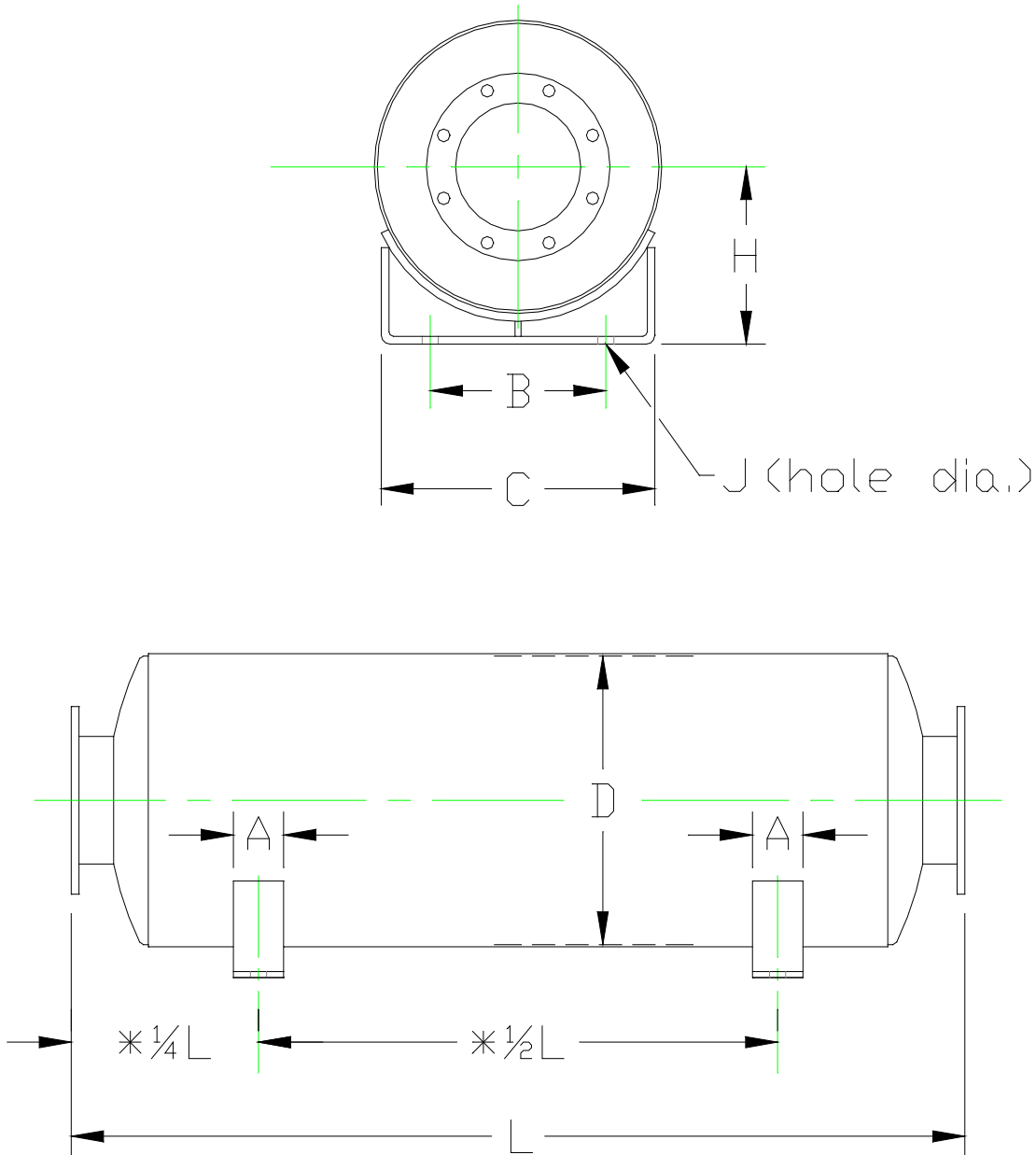


VANEC

HORIZONTAL SADDLE SUPPORTS



* Saddles typically set as shown
(unless otherwise specified)

HORIZONTAL SADDLE SUPPORTS

D Silencer Nominal Dia.	Dimensions in Inches					Est. Wt. per Saddle (Lbs.)
	A	B	C	H	J Hole Dia.	
8	3	5	8	6	1/2	5
10	3	6 1/2	10	7	1/2	6
12	3	8	12	8	1/2	8
14	3	9	13	9	1/2	8
16	4	10	14	10	3/4	12
18	4	11	16	11	3/4	13
20	4	12	18	12	3/4	14
22	4	13	20	13	3/4	15
24	4	14	22	14	3/4	16
26	5	15	23	15	3/4	22
28	5	17	25	16	3/4	24
30	5	18	27	17	3/4	25
36	5	22	32	20	3/4	30
42	6	25	38	23	3/4	40
48	6	28	42	26	3/4	46
54	6	32	48	29	3/4	52

Notes:

1. Dimensions may change depending on silencer weight and application load requirements.
2. Saddles available for larger diameter silencers upon request.

VANEC Industrial Silencers
716-827-4959